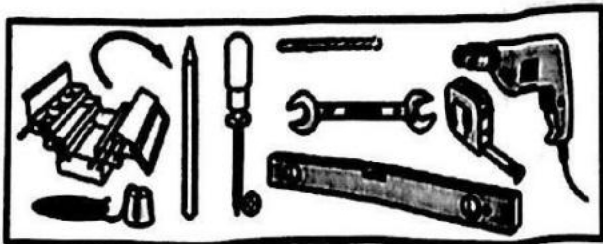
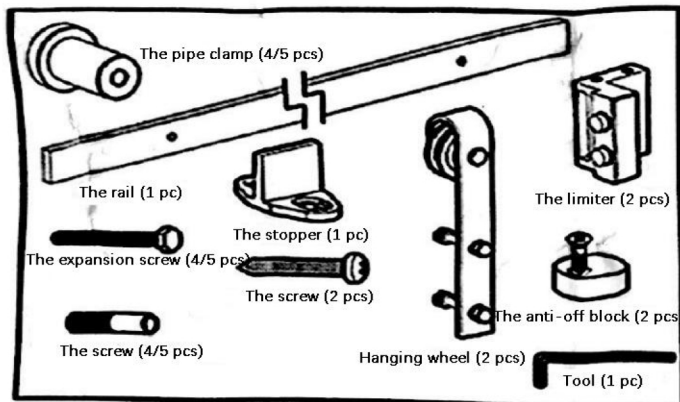


Installation Manual



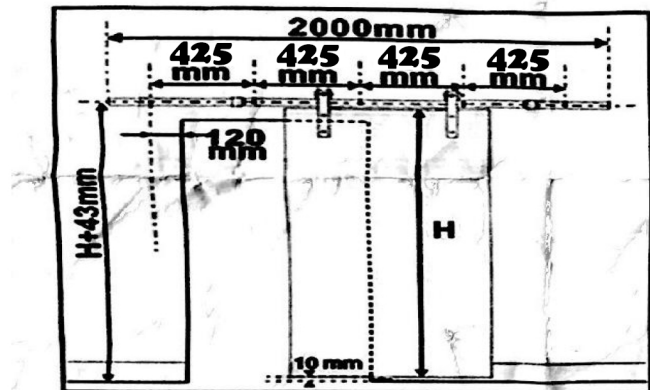
Install Tools

Impact drill, Meter ruler, Line drawing tool,
Level ruler, wrench, screw driver



Accessories: please see the picture for details.

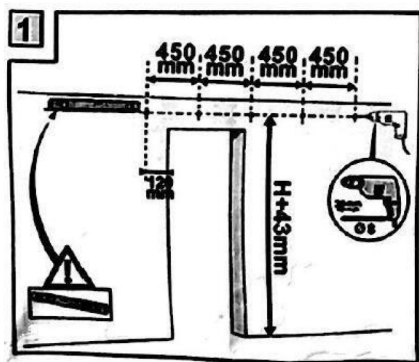
Note: the longest rail is 2.3m for one rail.
If the length of the rail is more than 2.3m will
be connected with 2 pcs rail.



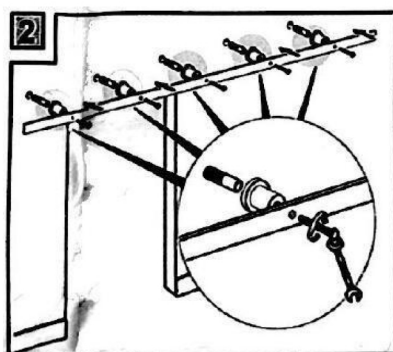
Take the 2 meter classic standard as an
example

The First step: Drill the holes and install the
rail.

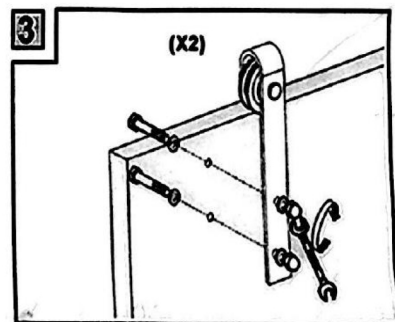
Position of holes: center point of rail: the
height of door leaf+43mm



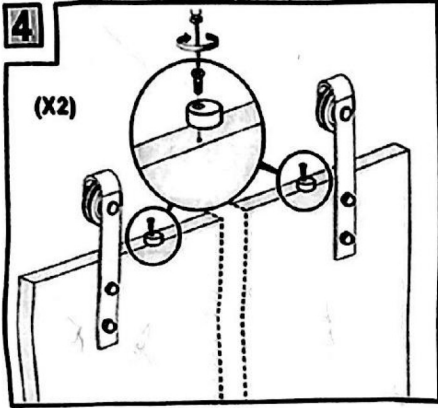
Note: Be attention the level
of the hole. The depth of the
hole should be 5-7cm.



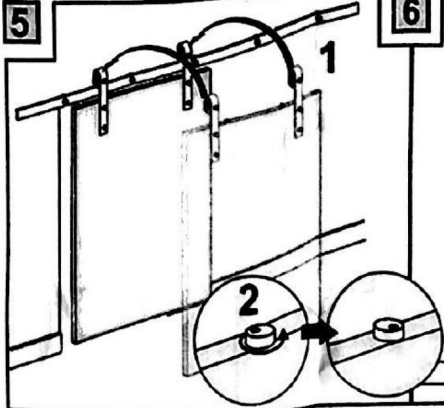
The second step: Fix the rail
After holes drilled, put the
expansion screw into the hole,
through the rail with the screw
to fix the pipe clamp and rail.



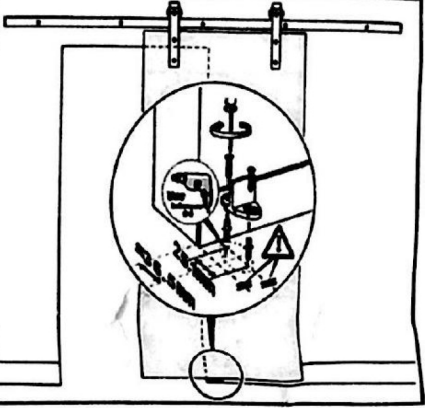
The Third step: Fix the screw
of the door leaf.
Drill the hole on the door leaf
and fix the screw.



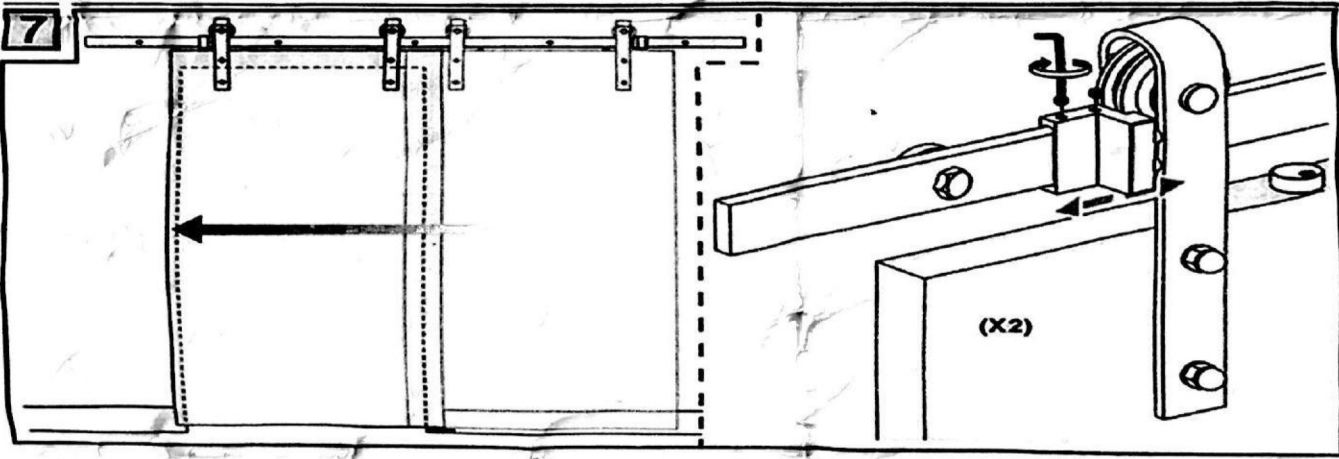
The Fourth step: Install the anti-off block.
 Fix the anti-off block on the top of the door leaf with the screw.
 Unlimited distance. Please see the picture for details.



The fifth step: connect the rail with the door.
 Put the door leaf with hanging wheel on the rail, and rotate the anti-block under the rail.



The sixth step: Install the stopper
 Groove at the bottom of the door leaf to install the stopper.
 Please see the picture for details.



The seventh step: Install limiter
 Fix the limiter after adjusting the moving distance.